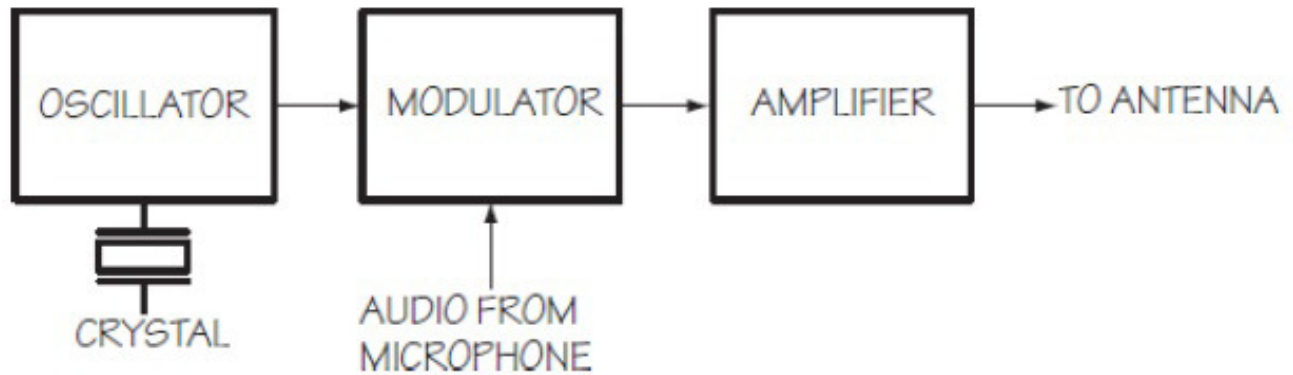
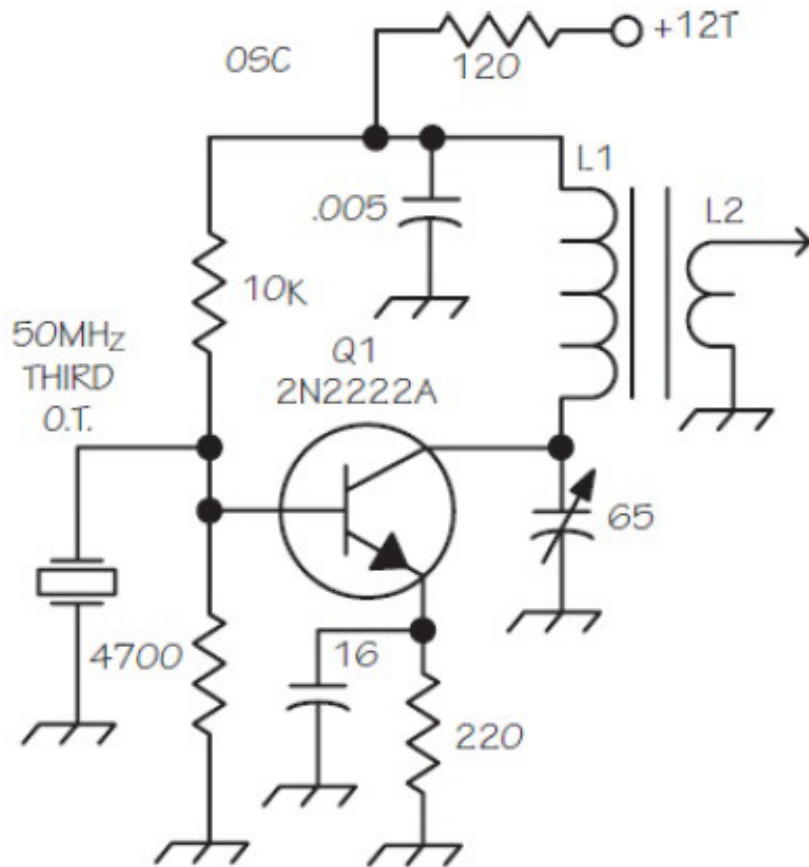


BLOCK AND SCHEMATIC DIAGRAM



This *block diagram* shows a simple crystal-controlled transmitter.



This is the *schematic* of the circuit represented by the box labeled “oscillator” in the block diagram of the crystal-controlled transmitter. The schematic shows individual electronic parts.